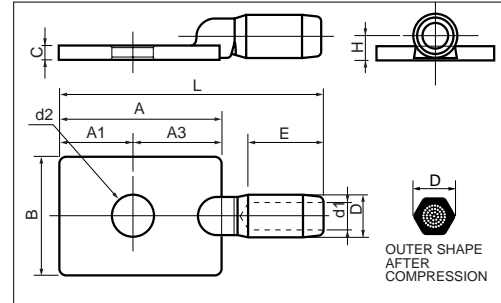
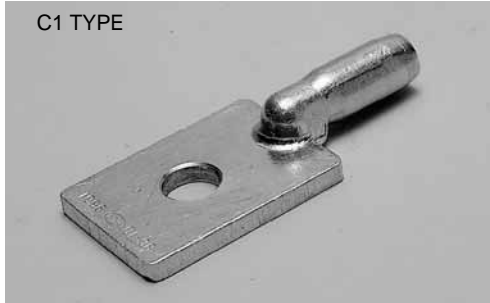


COMPRESSION TERMINALS (For Hard-drawn copper stranded wire)

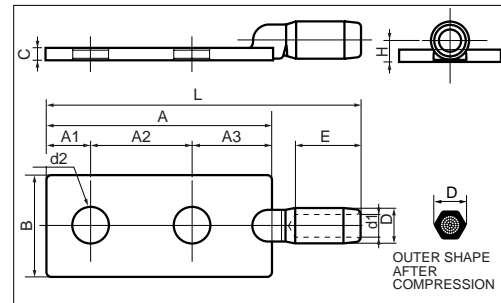
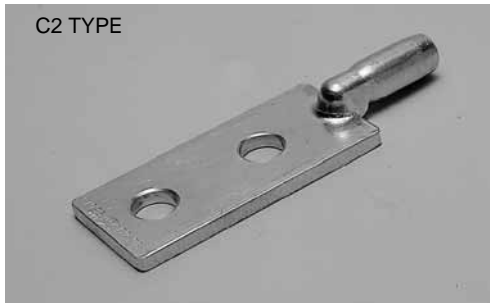
JIS C 2804

C1 TYPE



PART NUMBER	DIMENSIONS mm												BOLT SIZE	APPLIED WIRE		VERTEX DISTANCE OF HEXAGONAL DIES	TOOL No.		STD QTY/BOX
	D	d1	E	A	A1	A3	B	C	d2	L	H	STRAND COMPOSITION Number of wires/mm		STRAND OUTER DIAMETER mm	PUMP		HEAD		
C1-14	14	5.2	26	55	25	30	40	5	14	90	8	M12 x 1	7/1.6	4.8	14	NOM 2500A NOM 3000	NP 520 NP 1000	3	
C1-22		6.4											7/2.0	6.0					
C1-38		8.3											7/2.6	7.8					
C1-60	19	10.6	30	94	10.5	19/2.0	10.0	19											

C2 TYPE



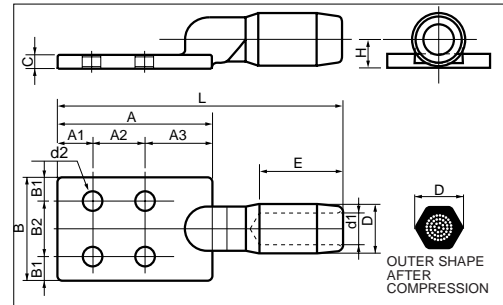
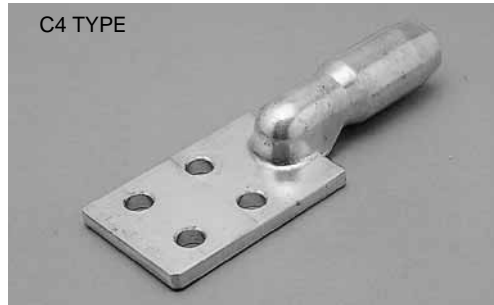
PART NUMBER	DIMENSIONS mm												BOLT SIZE	APPLIED WIRE		VERTEX DISTANCE OF HEXAGONAL DIES	TOOL No.		STD QTY/BOX
	D	d1	E	A	A1	A2	A3	B	C	d2	L	H		STRAND COMPOSITION Number of wires/mm	STRAND OUTER DIAMETER mm		PUMP	HEAD	
C2-14	14	5.2	26	90	18	32	40	5	14	125	8	M12 x 2	7/1.6	4.8	14	NOM 2500A NOM 3000	NP 520 NP 1000	3	
C2-22		6.4											7/2.0	6.0					
C2-38		8.3											7/2.6	7.8					
C2-55	19	10.2	30	6	135	11.0	7/3.2	9.6	19										
C2-60	23	10.6	39	95	20	35	8	150	13.0	150	14.5	19/2.0	10.0	23	NOM 2500A NOM 3000	NP 520 NP 1000	3		
C2-75		11.7										7/3.7	11.1						
C2-100		13.6										19/2.6	13.0						
C2-125	26	15.2	44	14	170	16.0	19/2.9	14.5	26										
C2-150	32	16.9	53	110	45	50	10	180	17.5	180	17.5	37/2.3	16.1	32	NOM 2500A NOM 3000	NP 520 NP 1000	3		
C2-180		18.5										19/3.5	17.5						
C2-200		19.5										37/2.6	18.2						
C2-240	36	21.0	62	25	207	20.5	19/4.0	20.0	36										
C2-250	42	21.9	115	50	12	222	25.5	212	23.0	212	23.0	61/2.3	20.7	38	NOM 2500A NOM 3000	NP 520 NP 1000	3		
C2-325		24.7										61/2.6	23.4						
C2-400		27.4										61/2.9	26.1						
C2-500	47	30.2	70	47	222	25.5	61/3.2	28.8	47										

NOTE

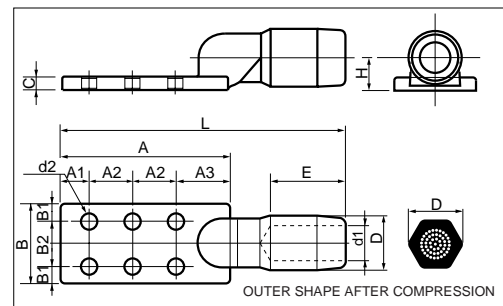
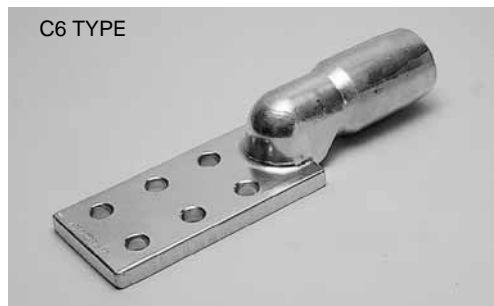
- 1) Conductive face is tin plated.
- 2) Special request can be made such as; without stud holes, all tin plated surface.
- 3) Special sizes are also available such as, for IEC wires.

COMPRESSION TERMINALS (For Hard-drawn copper stranded wire)

JIS C 2804



PART NUMBER	DIMENSIONS mm													BOLT SIZE	APPLIED WIRE		VERTEX DISTANCE OF HEXAGONAL DIES	TOOL No.		STD QTY/BOX															
	D	d1	E	A	A1	A2	A3	B	B1	B2	C	d2	L		H	STRAND COMPOSITION Number of wires/mm		STRAND OUTER DIAMETER mm	PUMP		HEAD														
C4-100	23	13.6	39													19/2.6	13.0	23	NOM 2500A NOM 3000	NP 520 NP 1000	3														
C4-150	29	16.9	44												37/2.3	16.1	29																		
C4-200	32	19.5	53								10				37/2.6	18.2	32																		
C4-250	38	21.9	62	115	25	40	50	75	17.5	40	14	14	180	13	M12 x 4	61/2.3	20.7	38																	
C4-325	42	24.7																																61/2.6	23.4
C4-400	47	27.4	70																														61/2.9	26.1	47
C4-500		30.2																																61/3.2	

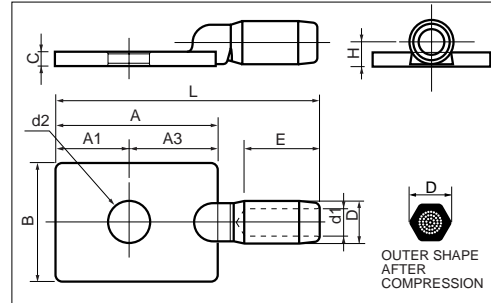
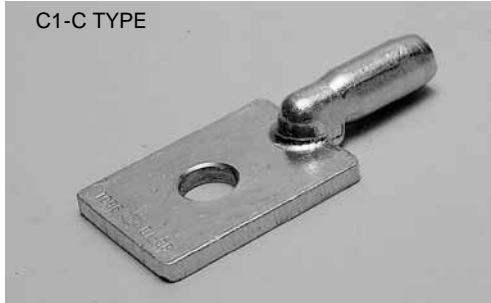


PART NUMBER	DIMENSIONS mm													BOLT SIZE	APPLIED WIRE		VERTEX DISTANCE OF HEXAGONAL DIES	TOOL No.		STD QTY/BOX														
	D	d1	E	A	A1	A2	A3	B	B1	B2	C	d2	L		H	STRAND COMPOSITION Number of wires/mm		STRAND OUTER DIAMETER mm	PUMP		HEAD													
C6-600	51	33.3	70	155	25	40	50	75	17.5	40			14	262	28.0	M12 x 6	91/2.9	31.9	NOM 2500A NOM 3000	NP 1000	1													
C6-725		36.7														M16 x 6	91/3.2	35.2																
C6-800	56	38.0	90	190	30	50	60	100	25.0	50	12	18	325	30.5	M16 x 6	127/2.8	36.4	56																
C6-850		39.3																																
C6-1000	64	43.2	100																															127/3.2

- NOTE 1) Conductive face is tin plated.
 2) Special request can be made such as; without stud holes, all tin plated surface.
 3) Special sizes are also available such as, for IEC wires.

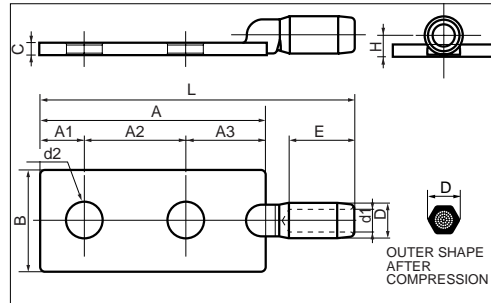
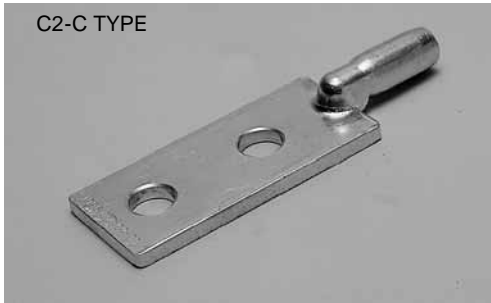
COMPRESSION TERMINALS (For Compressed copper stranded wire)

C1-C TYPE



PART NUMBER	DIMENSIONS mm											BOLT SIZE	APPLIED WIRE	VERTEX DISTANCE OF HEXAGONAL DIES	TOOL No.		STD QTY/BOX
	D	d1	E	A	A1	A3	B	C	d2	L	H		STRAND OUTER DIAMETER mm		PUMP	HEAD	
C1-14C	14	4.8	26	55	25	30	40	5	14	90	8	M12 x 1	4.4	14	NOM 2500A NOM 3000	NP 520 NP 1000	5
C1-22C		5.9											5.5				
C1-38C		7.8											7.3				
C1-60C	19	9.8	30	94	10.5	9.3	19										

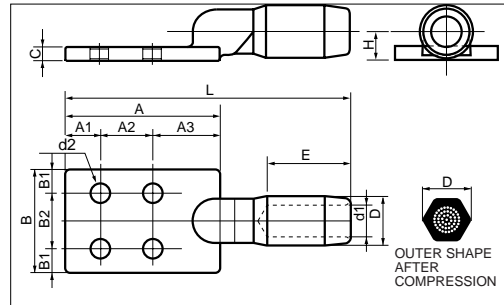
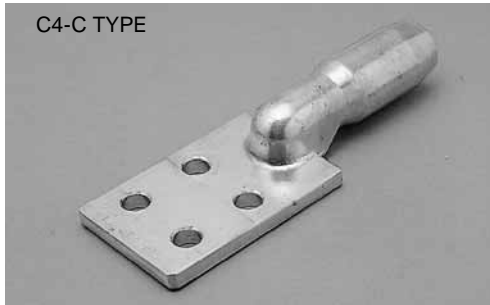
C2-C TYPE



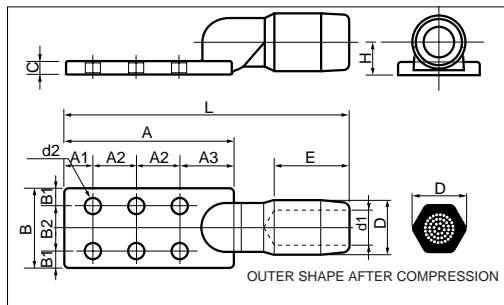
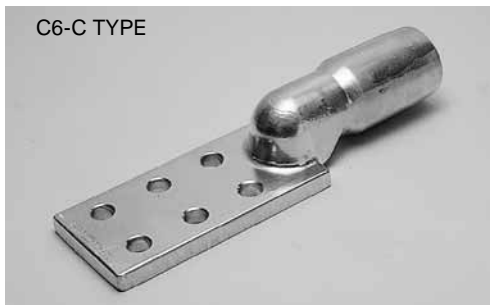
PART NUMBER	DIMENSIONS mm											BOLT SIZE	APPLIED WIRE	VERTEX DISTANCE OF HEXAGONAL DIES	TOOL No.		STD QTY/BOX											
	D	d1	E	A	A1	A2	A3	B	C	d2	L		H		STRAND OUTER DIAMETER mm	PUMP		HEAD										
C2-14C	14	4.8	26	90	18	32	40	5	125	8	M12 x 2	4.4	14	NOM 2500A NOM 3000	NP 520 NP 1000	3												
C2-22C		5.9										5.5																
C2-38C		7.8										7.3																
C2-60C	19	9.8	30	6	135	11.0	9.3	19																				
C2-100C	23	12.6	39	95	20	40	35	8	14	13.0	23	12.0	23	13.5	26	14.7	29	17.0	32	18.5	36	19.0	38	21.7	42	24.1	47	26.9
C2-125C	26	14.1								150																		
C2-150C	29	15.4	44	110	25	45	50	10	14	170	16.0	17.0	32	18.5	36	19.0	38	21.7	42	24.1	47	26.9						
C2-200C	32	17.9	53							207	20.5																	
C2-240C	36	19.4	62	115	50	12	222	25.5	14	207	20.5	21.7	42	24.1	47	26.9												
C2-250C	38	19.9								212	23.0																	
C2-325C	42	22.7	70	115	50	12	222	25.5	14	212	23.0	24.1	47	26.9														
C2-400C	47	25.2								222	25.5																	
C2-500C	47	28.0	70	115	50	12	222	25.5	14	222	25.5	26.9																

- NOTE 1) Conductive face is tin plated.
 2) Special request can be made such as; without stud holes, all tin plated surface.
 3) Special sizes are also available such as , IEC wires.
 4) Use more than a strand 1 mm.

COMPRESSION TERMINALS (For Compressed copper stranded wire)



PART NUMBER	DIMENSIONS mm													BOLT SIZE	APPLIED WIRE	VERTEX DISTANCE OF HEXAGONAL DIES	TOOL No.		STD QTY/BOX		
	D	d1	E	A	A1	A2	A3	B	B1	B2	C	d2	L		H		STRAND OUTER DIAMETER mm	PUMP		HEAD	
C4-100C	23	12.6	39											180	13.0	M12 x 4	12.0	23	NOM 2500A NOM 3000	NP 520 NP 1000	3
C4-150C	29	15.4	44											16.0	16.0		14.7	29			
C4-200C	32	17.9	53											185	17.5		17.0	32			
C4-250C	38	19.9	62	115	25	40	50	75	17.5	40			14	212	20.5		19.0	38			
C4-325C	42	22.7															21.7	42			
C4-400C	47	25.2	70											222	25.5		24.1	47			
C4-500C		28.0															26.9	47			



PART NUMBER	DIMENSIONS mm													BOLT SIZE	APPLIED WIRE	VERTEX DISTANCE OF HEXAGONAL DIES	TOOL No.		STD QTY/BOX	
	D	d1	E	A	A1	A2	A3	B	B1	B2	C	d2	L		H		STRAND OUTER DIAMETER mm	PUMP		HEAD
C6-600C	51	30.7	70	155	25	40	50	75	17.5	40		14	262	28.0	M12 x 6	29.5	51	NOM 2500A NOM 3000	NP 1000	1
C6-800C	56	35.3	90	190	30	50	60	100	25.0	50		12	325	30.5	M16 x 6	34.0	56			
C6-850C		35.6														35.1				
C6-1000C	64	39.4	100									14	335	34.5		38.0	64			



SPECIAL LARGER SIZE

PART NUMBER	DIMENSIONS mm													BOLT SIZE	APPLIED WIRE	VERTEX DISTANCE OF HEXAGONAL DIES	TOOL No.		STD QTY/BOX	
	D	d1	E	A	A1	A2	A3	B	B1	B2	C	d2	L		H		STRAND OUTER DIAMETER mm	PUMP		HEAD
C6-1200A-SN	69	43.3	90											350	37.0	M16 x 6	41.7	69	SMP3 SR-200M	1
C6-1400A-SN	76	46.7	95	200	30	50	70	100	25	50	20	18	365	40.0	45.0		76			
C6-1600A-SN		50.0	100												48.2					

NOTE

1) Above 3 part numbers are tin plated on all surface.